

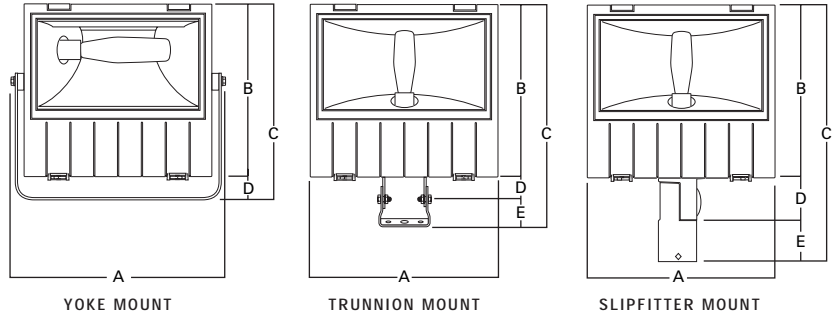
GPF GENERAL PURPOSE FLOOD

150-1000W MH/HPS/MERCURY

SLIPFITTER, YOKE, OR TRUNNION-MOUNTED FLOODLIGHT



STREETWORKS™



Fixture	A	B	C	D	E	
Yoke	(in.)	20 1/2	18 1/2	22 1/2	4	
	(mm)	521	470	572	102	
Trunnion	(in.)	20 1/2	18 1/2	24 3/8	2 9/16	3 5/16
	(mm)	521	470	619	65	84
Slipfitter	(in.)	20 1/2	18 1/2	28 1/32	5 3/16	4 11/32
	(mm)	521	470	712	132	110

NOTE: Depth Dimension: 150-400W HPS and MH, 1000W HPS 9 1/2" [241]. 1000W MH 10 1/2" [267].

LATCHES

Formed aluminum flush draw-action latches offer easy access to lamp compartment without tools.

HOUSING

Aerodynamically designed, architecturally styled die-cast aluminum housing. Standard dark bronze polyester powder finish. Other finish colors available. Consult your Streetworks Representative. ANSI wattage/source label. Optional NEMA twistlock photocontrol receptacle.

DOOR

Spring-loaded die-cast aluminum door with integral cast hinges for removal without tools. Door gasket is closed-cell silicone, providing maximum protection of interior components from the elements.

LENS

Heat- and impact-resistant tempered glass lens.

REFLECTOR

Computer designed precision formed reflector system delivers superior beam control and efficiency.

BALLAST

Ballast components are hard mounted to fixture housing for maximum heat dissipation and extended component and lamp life. Plastic terminal block. Prewired with 3' 14/3 STWA cord.

MOUNTING

Heavy-duty steel yoke provides flexibility in mounting to a variety of surfaces. Slipfitter for 2 3/8" to 3" O.D. tenon and trunnion mount also available.

EPA:

Effective Projective Area: 2.7

SHIPPING DATA

Approximate Net Weight: 59 lbs. (27 kgs.)

ORDERING INFORMATION

SAMPLE NUMBER: GPF15SPW764

PRODUCT FAMILY	LAMP WATTAGE	LAMP TYPE ¹	BALLAST TYPE ¹	VOLTAGE ¹	DISTRIBUTION	OPTIONS + ACCESSORIES (See Below)
GPF-General Purpose Flood	15=150W	S=High Pressure Sodium V=Mercury M=Metal Halide R=Super Metal Halide	H=Reac./HPF N=Hi. Reac./NPF P=Hi. Reac./HPF R=Reac./NPF W=CWA C=CWI M=Mag. Reg. K=10KV CWA	2=120V 0=208V 4=240V 7=277V 8=480V 9=347V W=Multi-Tap wired 120V N=Multi-Tap wired 277V 5T=5-Tap wired 277V ²	76=7x6 77=7x7 ³ 12=1x2 ⁴ 23=2x3 ⁴ 24=2x4 ⁵ 43=4x3 ⁴ 44=4x4 ⁵ 55=5x5 ⁵ 62=6x2 ⁴ 65=6x5 ⁴	
	20=200W 25=250W 40=400W 75=750W 91=1000W 24=250/400 wired 250W 42=400/250 wired 400W					

OPTIONS + ACCESSORIES [Must be listed in the order shown and separated by a dash]

- OPTIONS** (add as suffix)
 1=Single Fuse, Internally Mounted (120 or 277V)
 2=Double Fuse, Internally Mounted (208, 240, or 480V)
 4=Photocontrol Receptacle
 BK=Black
 AP=Grey
 A=Captive Door Screws
 C=Slipfitter 2 3/8" to 3" O.D.—cord thru housing
 H=Plug-in Starter Receptacle ⁶
 M=MOV Lightning Surge Protectors ⁷
 R=Removable Power Tray ⁸
 S=Slipfitter 2 3/8" to 3" O.D. with leads thru fitter
 T=Trunnion Mount
 U=UL/CSA Listed
 W=Wall Mount

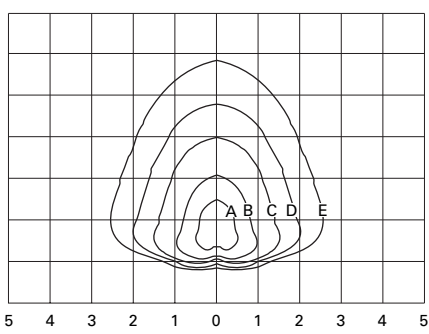
- ACCESSORIES** (order separately)
 OA1179=Top/Bottom Visor
 OA1180=Side Visor
 OA1181=Wire Guard
 OA1182=Vandal Shield
 OA1208=TufGuard Vandal Shield
 VS/NK=Vandal Shield (For Wattages Below 1000W)
 VS/NK/1000=Vandal Shield (For 1000W Units)

OPTIONAL COLORS [Standard color is bronze, other finish colors available. Consult your Cooper Lighting representative]

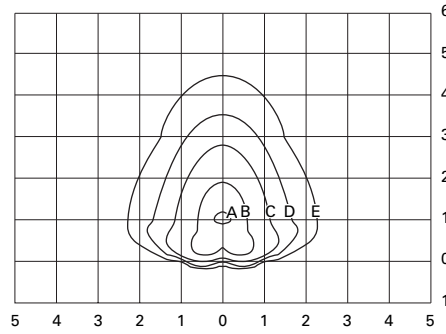


NOTE: 1 Refer to technical section for lamp/ballast/voltage compatibility. 2 250/400W, 400/250W MH, HPS, and 400W MH only. 3 1000W only. 4 Available in MH only. 1000W requires reduced envelope lamp. 5 Available in HPS only. 6 Not available in 1000W. 7 MOV option is not available for any system requiring a three position terminal block (Example—120/240V incoming line). In order for MOV option to function center terminal of three position terminal block must be connected to "Earth" ground. 8 400W or below, except for 400W Mag. Reg.

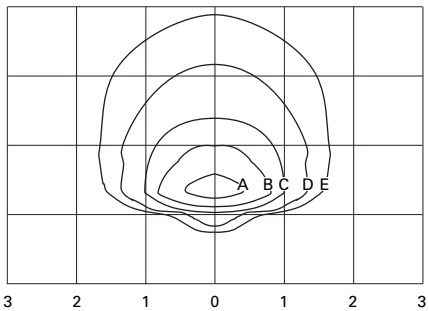
PHOTOMETRICS [Complete IES files available at www.cooperlighting.com]



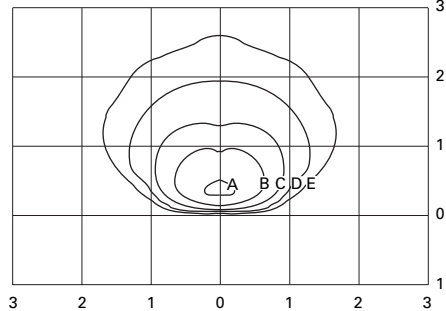
GPF40S76.IES
400-Watt HPS
50,000 Lumen Lamp
Tilt-45°



GPF40M76.IES
400-Watt MH
36,000 Lumen Lamp
Tilt-45°



GPF91S77.IES
1000-Watt HPS
140,000 Lumen Lamp
Tilt-45°



GPF91M77.IES
1000-Watt MH
110,000 Lumen Lamp
Tilt-45°

FOOTCANDLE TABLE

Select mounting height and read across for footcandle values of each isofootcandle line. Distance in units of mounting height.

Mounting Height	Footcandle Values for Isofootcandle Lines				
	A	B	C	D	E
GPF40S76.IES / GPF40M76.IES					
20'	10.00	5.00	2.00	1.00	0.50
25'	6.40	3.20	1.28	0.64	0.32
30'	4.44	2.22	0.89	0.44	0.22
35'	3.27	1.63	0.65	0.33	0.18
40'	2.50	1.25	0.50	0.25	0.13

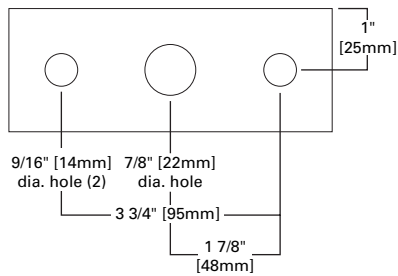
GPF91S77.IES / GPF91M77.IES					
30'	20.00	10.00	5.00	2.00	1.00
35'	14.69	7.35	3.67	1.47	0.73
40'	11.25	5.63	2.81	1.13	0.56
45'	8.89	4.44	2.22	0.89	0.44
50'	7.20	3.60	1.80	0.72	0.36

BEAM AVAILABILITY AND LAMP ORIENTATION

Distribution Type (HxV)	HPS	MH	Orientation
7x6	•	•	Vertical
6x5 Cutoff		•	Horizontal
6x2	•	•	Horizontal
5x5 Cutoff	•		Horizontal
4x4	•		Vertical
4x3		•	Vertical
2x4	•		Vertical
2x3		•	Vertical
1x2		•	Vertical

DRILLING PATTERN FOR YOKE- AND TRUNNION-MOUNT

YOKE MOUNT



TRUNNION MOUNT

